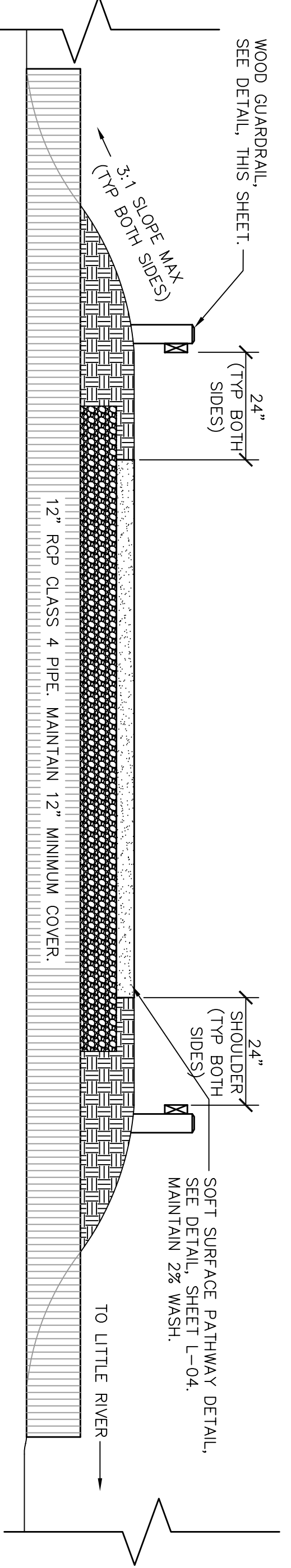
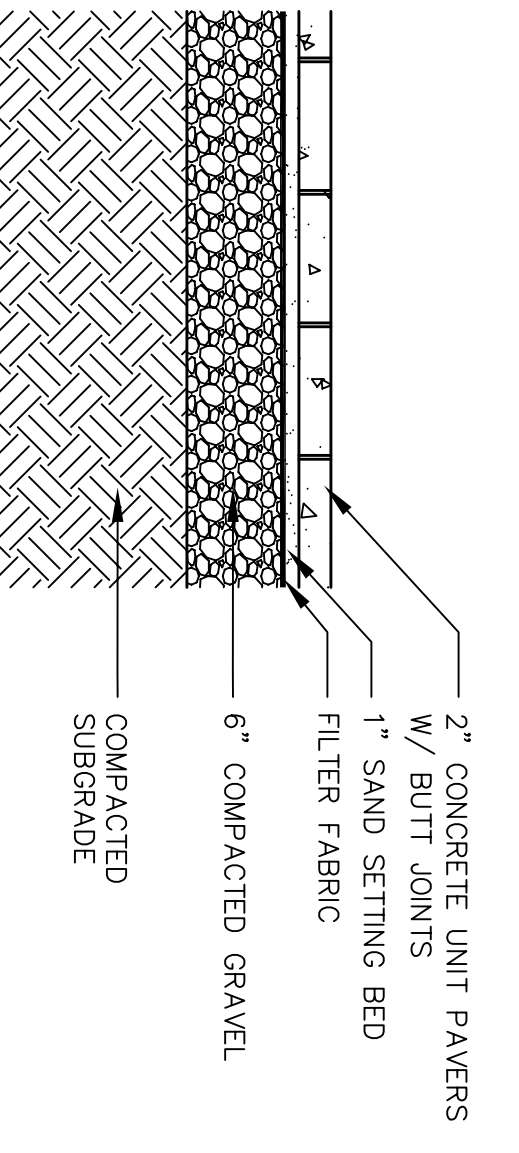


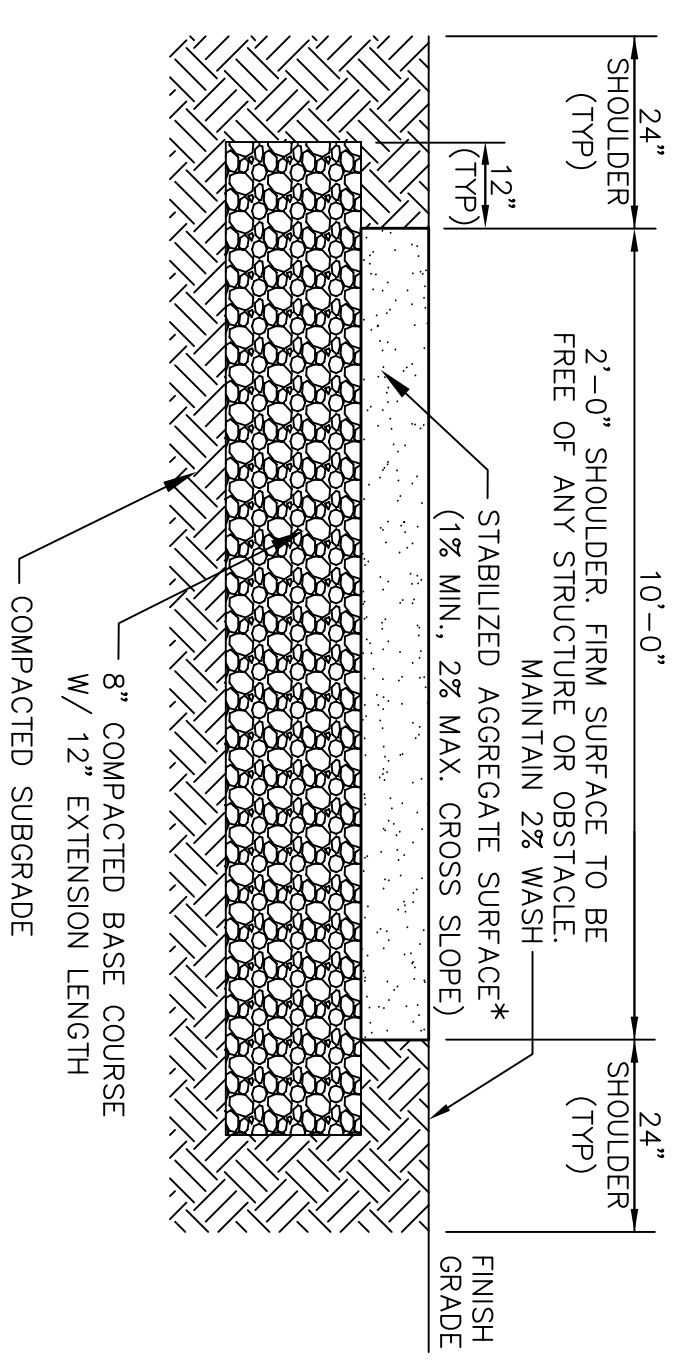
**SECTION A-A**  
NOT TO SCALE



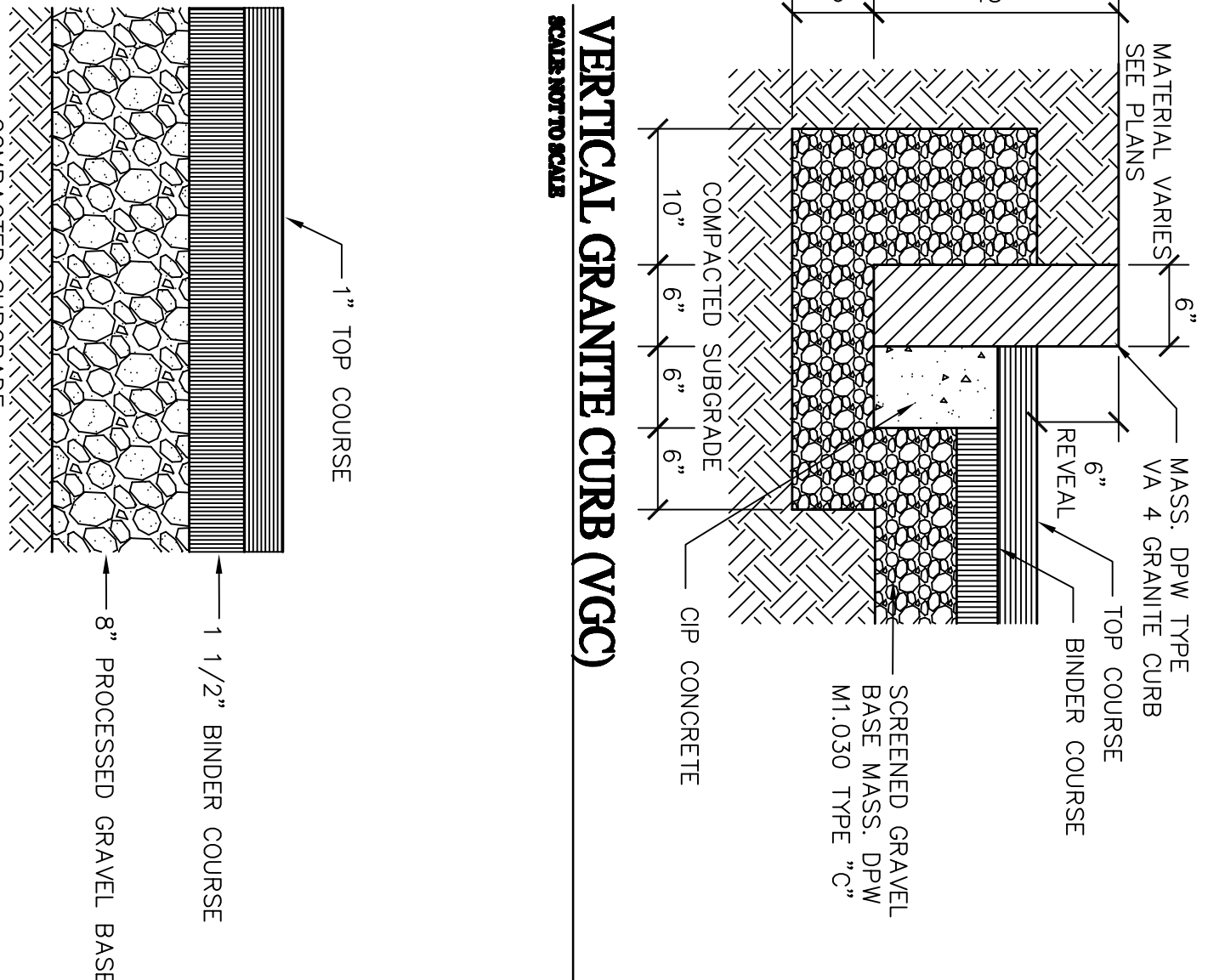
**SECTION B-B**  
NOT TO SCALE



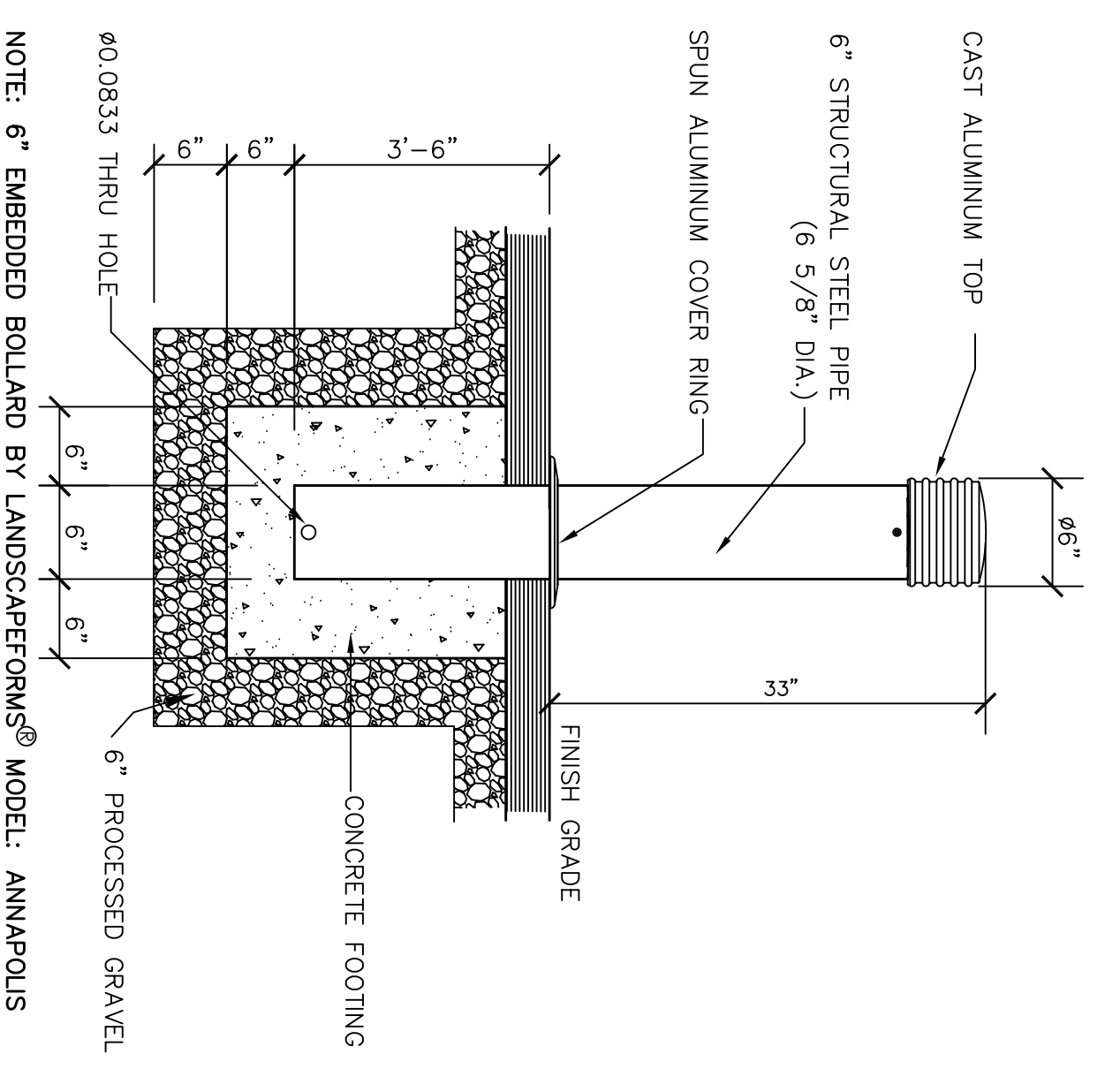
**CONCRETE UNIT PAVERS ON AGGREGATE BASE**  
NOT TO SCALE



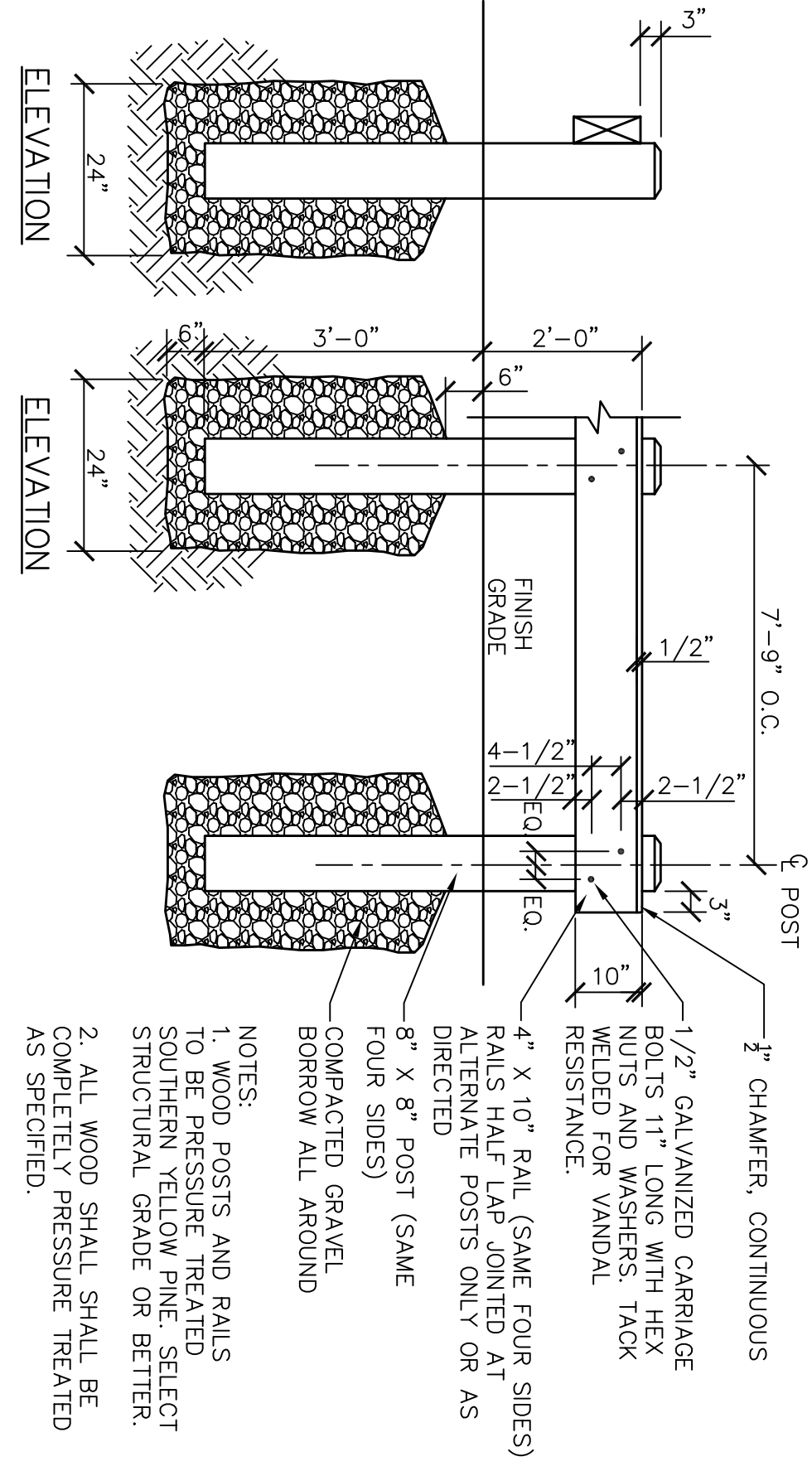
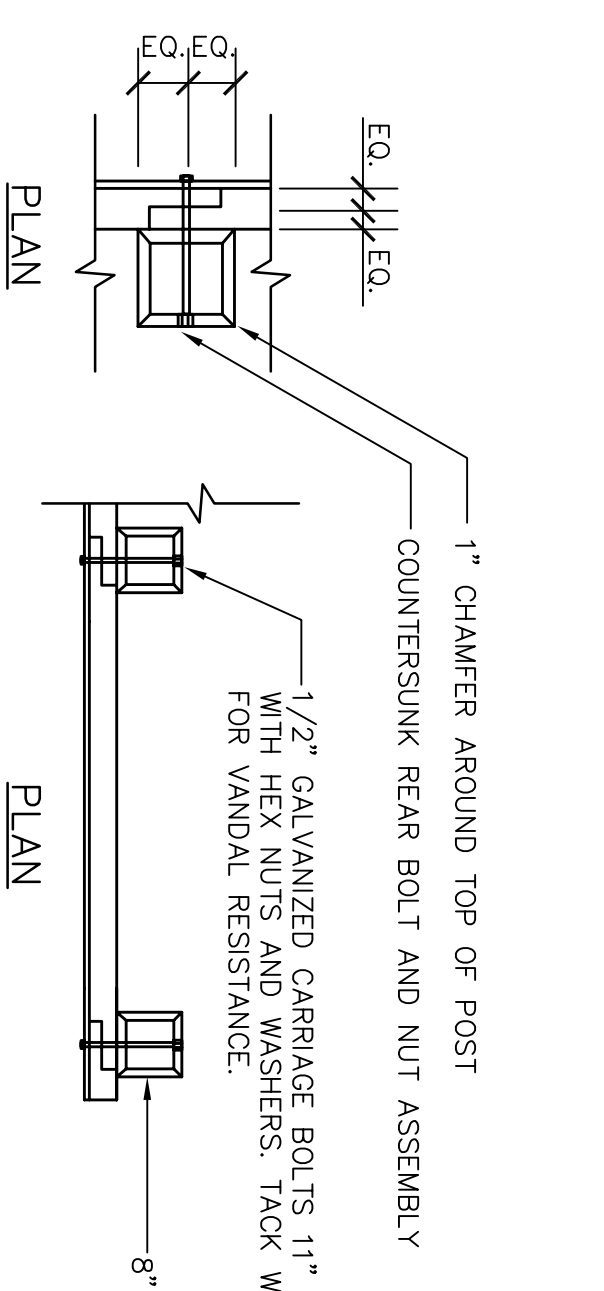
**SOFT SURFACE PATHWAY DETAIL**  
NOT TO SCALE



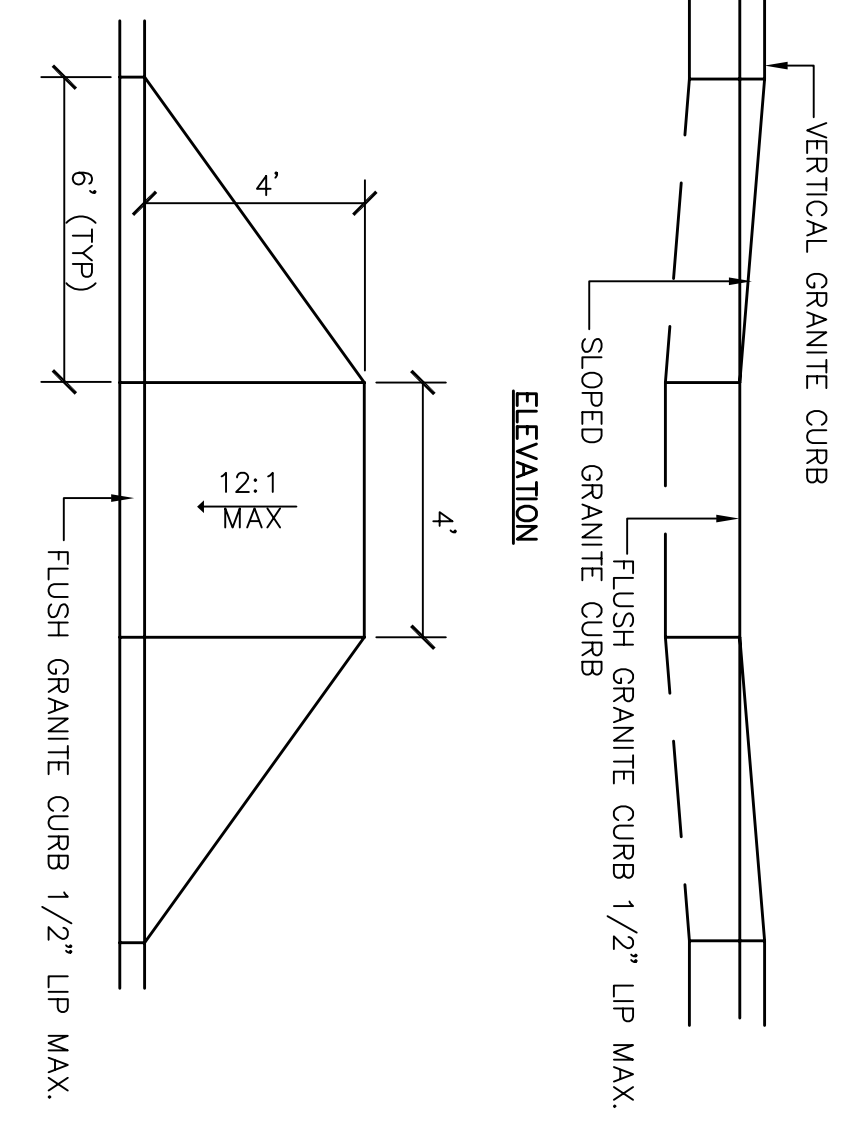
**BITUMINOUS CONCRETE PAVEMENT**  
NOT TO SCALE



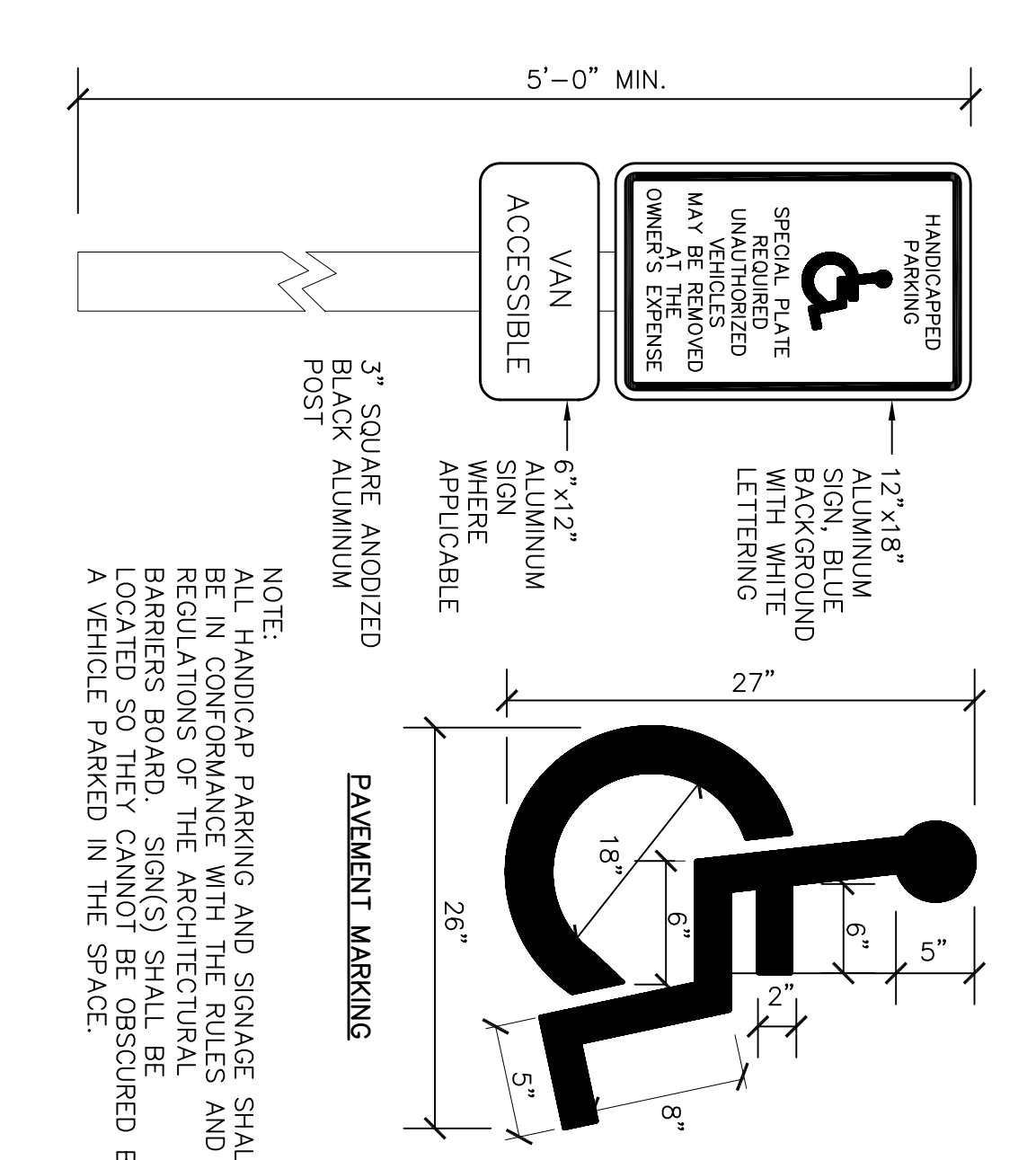
**SOLAR LIGHT BOLLARD**  
NOT TO SCALE



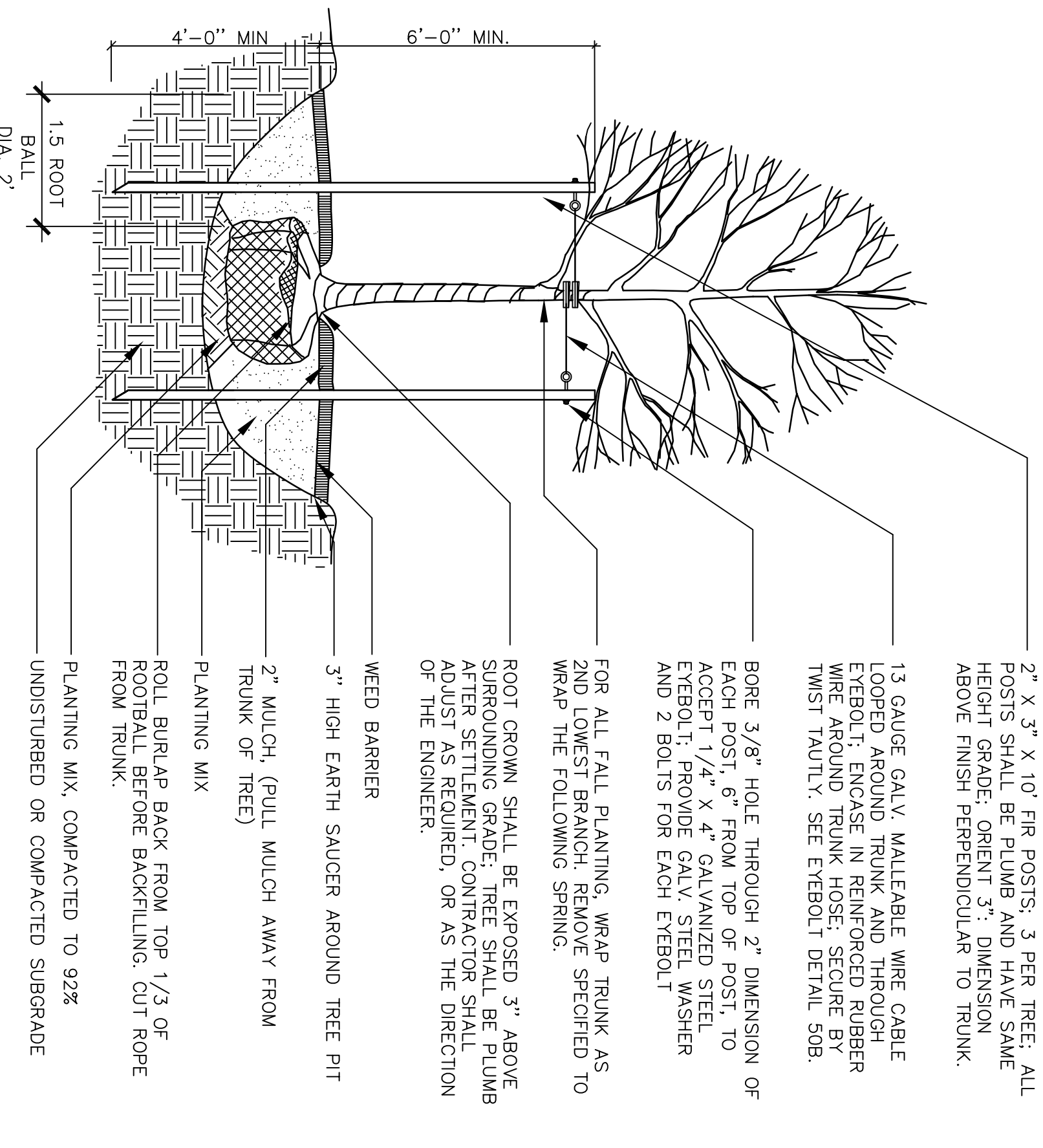
**WOOD GUARDRAIL**  
NOT TO SCALE



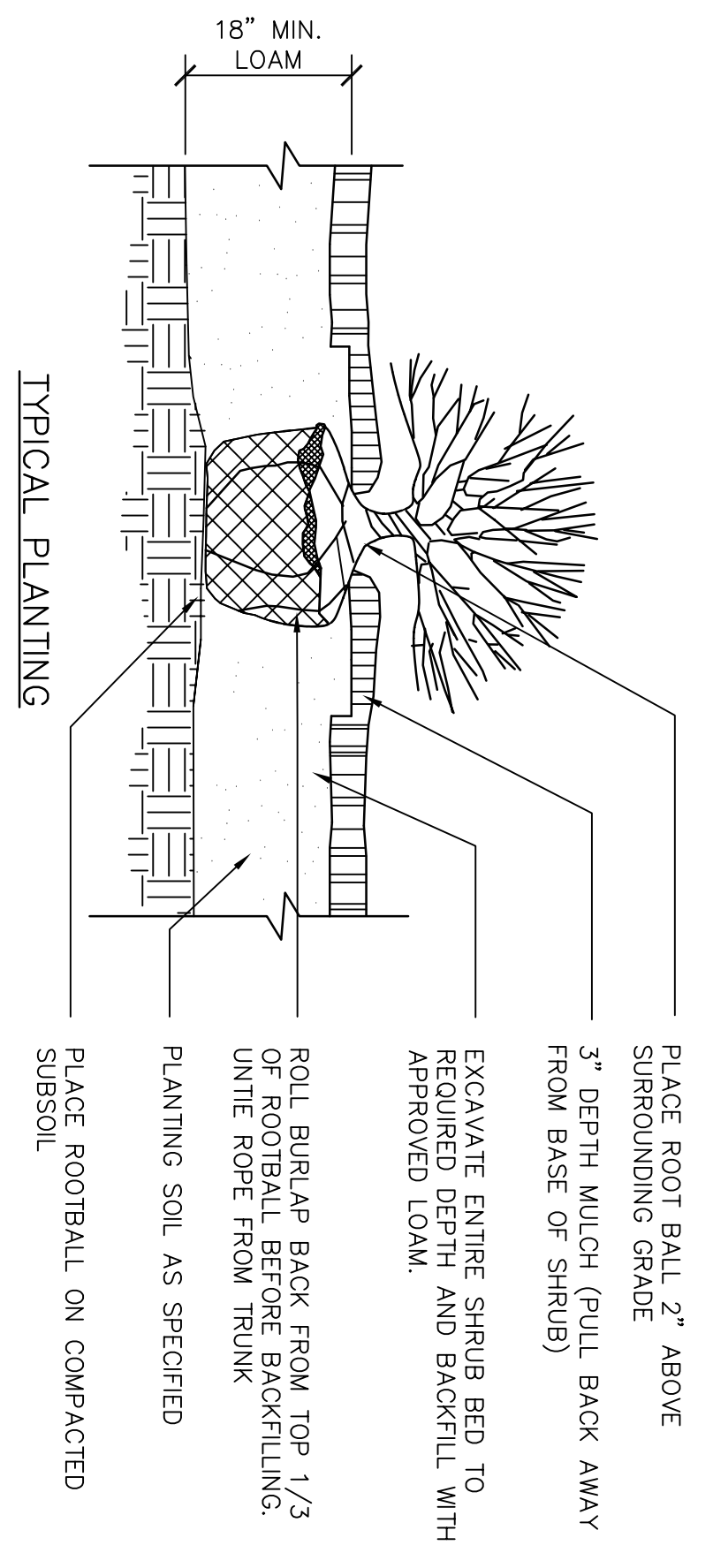
**HANDICAP RAMP**  
NOT TO SCALE



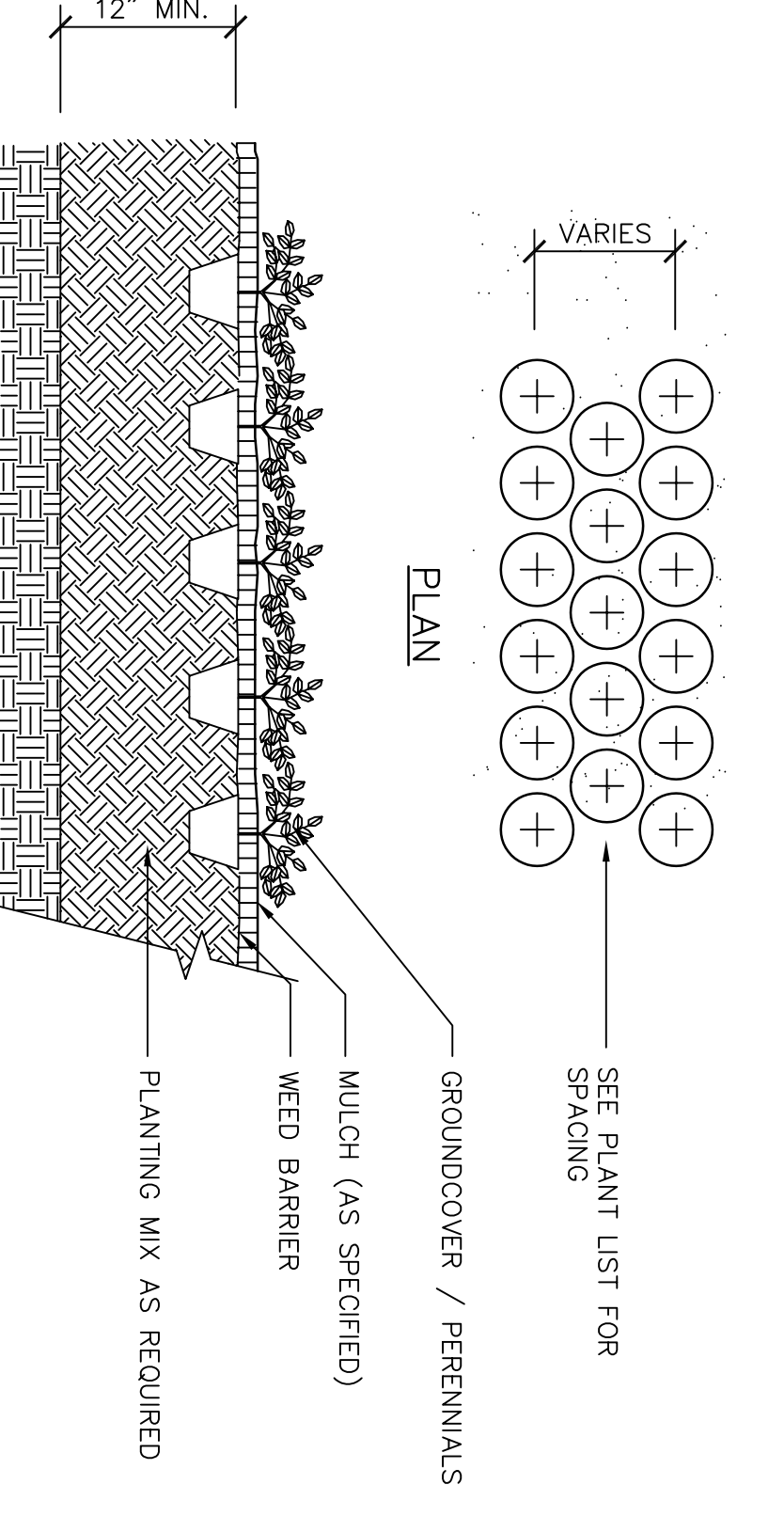
**HANDICAP SIGN AND PAVEMENT MARKING DETAIL**  
NOT TO SCALE



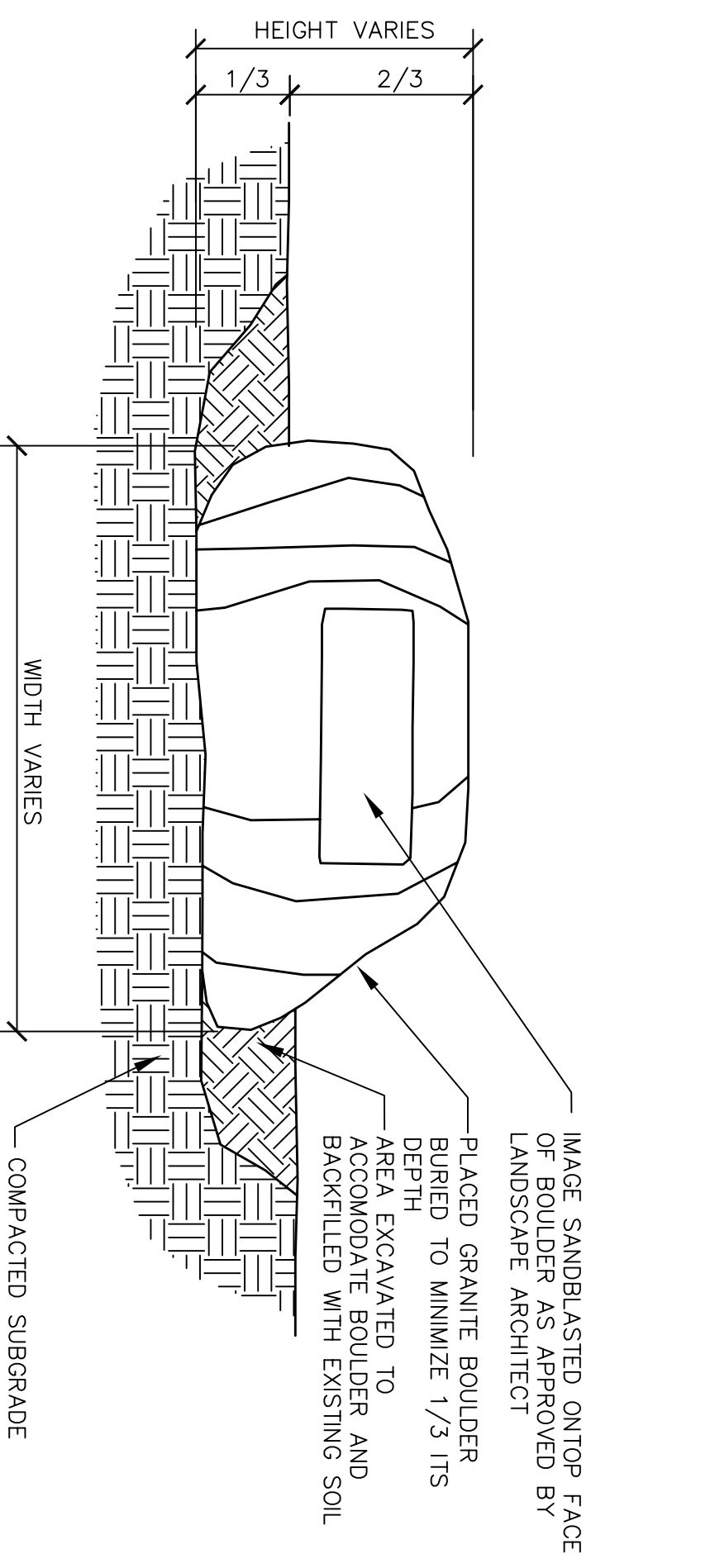
**DECIDUOUS TREE PLANTING**  
NOT TO SCALE



**SHRUB PLANTING**  
NOT TO SCALE



**GROUND COVER PLANTING**  
NOT TO SCALE



**INTERPRETIVE BOULDER DETAIL**  
NOT TO SCALE

**PRELIMINARY**